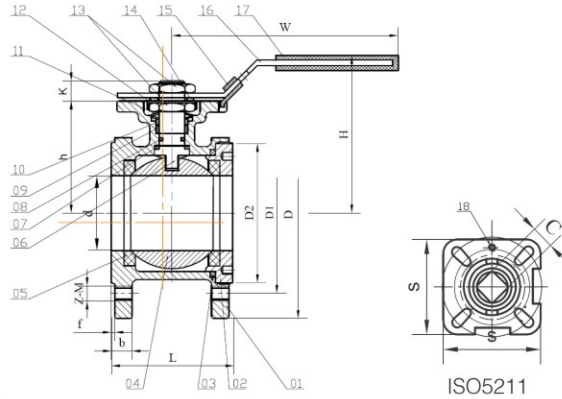


# Manual Ball Valve

421 Series  
1-PC Flanged Ball Valve  
with Mounting Pad



## Technical Specification

- Nominal pressure: PN16/25/40 (1/2"~2");  
PN16 (2~1/2" ~ 4")
- Medium temperature: -10°C — +120°C
- Ball material: CF8(304), CF8M(316)
- Applicable medium: Water, Oil, Gas
- Connection type: Flange  
DIN2543/DIN2576  
/EN1092-1/HG20592

## Main Dimension

Size	DN15	DN20	DN25	DN32	DN40	DN50	DN65	DN80	DN100
d	15	20	25	32	40	50	65	76	94
L	36	38	50	53	65	78	98	118	140
D	95	105	115	140	150	165	185	200	220
D1	65	75	85	100	110	125	145	160	180
D2	45	58	68	78	88	102	122	138	158
b	11	11	12	14	15	16	16	18	18
f	2	2	2	2	3	3	3	3	3
H	89	94	90	100	105	125	140	145	175
W	117	117	164	164	203	203	255	255	302
C	9	9	11	11	14	14	17	17	17
ISO5211	F03/F04	F03/F04	F04/F05	F04/F05	F05/F07	F05/F07	F07/F10	F07/F10	F07/F10
Z-M	4-M12	4-M12	4-M12	4-M16	4-M16	4-M16	4-M16	8-M16	8-M16
h	55.3	60.3	58.5	70.5	76.5	84.5	94.5	110.5	122.5
S	42.6	42.6	50.5	50.5	64.5	65.5	93.6	94.2	94.1
K	9.5	9.5	10	12.5	14.5	14	17	16	19
N.m	5	8	10	14	18	25	48	75	110

## Order Instruction

