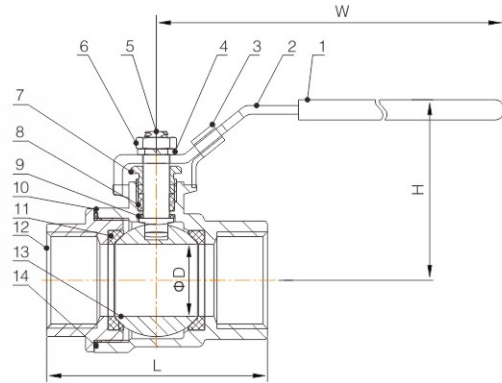


421 Series  
2-PC Ball Valve  
(F/F)



## Technical Specification

- Nominal pressure: PN63
- Medium temperature: -10°C — +120°C
- Body and bonnet material: CF8/CF8M
- Ball material: CF8(304), CF8M(316)
- Seal material: PTFE
- Connection type: Threaded connection (BSP、BSPT、NPT)

## Main Dimension

Size	DN8	DN10	DN15	DN20	DN25	DN32	DN40	DN50	DN65	DN80	DN100
ØD	12.5	12.5	15	20	25	32	38	50	65	76	94
L	49	49	58	66	77	90	98	121	147	173	222
H	48	48	52	61	65	79	83	97	126	138	158
W	100	100	100	127	127	154	154	192	252	252	283

## Order Instruction

