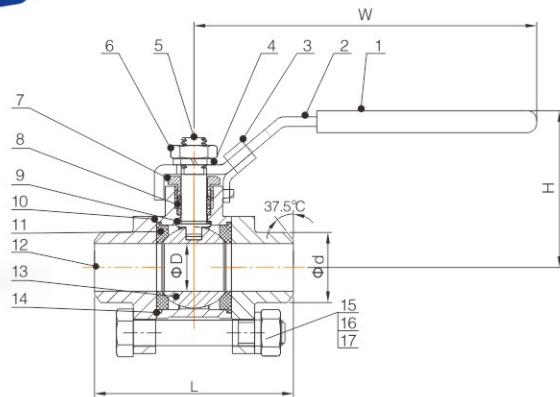


Manual Ball Valve

432 Series
3-PC Butt Weld
Ball Valve



Technical Specification

- Nominal pressure: PN63
- Medium temperature: -10°C — $+120^{\circ}\text{C}$
- Body and bonnet material: CF8/CF8M
- Ball material: CF8(304), CF8M(316)
- Seal material: PTFE
- Connection type: Welded connection

Main Dimension

Size	DN10	DN15	DN20	DN25	DN32	DN40	DN50	DN65	DN80	DN100
ΦD	12.5	15	20	25	32	38	50	65	76	94
Φd	18	22	27.5	33.5	44	50	61.6	76.3	90	116
L	52.4	62.4	72.2	81.6	95	106	127.2	158	179	213
H	48	52	61	65	79	83	97	135	144	149
W	100	100	127	127	154	154	192	244	244	285

Order Instruction

