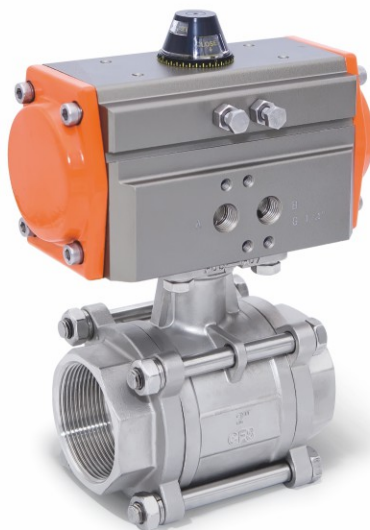


Pneumatic Ball Valve

451 Series
Pneumatic
Ball Valve Type C

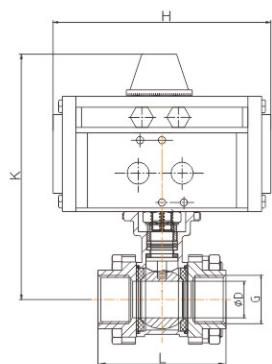
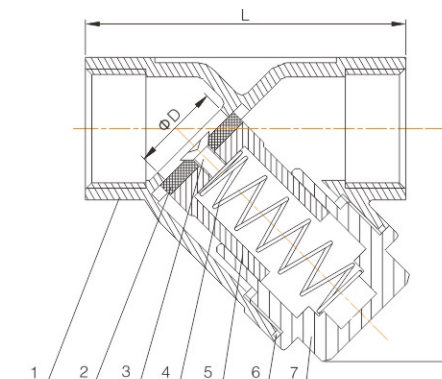


Technical Specification

- Nominal pressure: PN63(1000Psi)
- Medium temperature: -10°C — +120°C
- Body and bonnet material: CF8, CF8M
- Ball material: CF8(304), CF8M(316)
- Seal ring and Packing: PTFE
- Control Pressure: 5bar
- Control type: Double acting
(Single-acting option is available.)

Check Valve

501 Series
Y-Spring Check Valve



Main Dimension

Size	DN8	DN10	DN15	DN20	DN25	DN32	DN40	DN50
G	1/4"	3/8"	1/2"	3/4"	1"	1 1/4"	1 1/2"	2"
ΦD	12.5	12.5	15	20	25	32	38	50
L	50	50	62	70	80	93	103	125
H	110	110	110	110	119	169	169	169
K	107	107	109	117	141	172	182	197
Double acting actuator type	ADT032			ADT045		ADT063		

Note: Control air pressure: 5Bar

Technical Specification

- Nominal pressure: PN55
- Medium temperature: -10°C — +120°C
- Connection type: Threaded connection
(BSP、BSPT、NPT)
- Body material: CF8/CF8M
- Seal material: PTFE
- Minimum open pressure: 16–92mbar

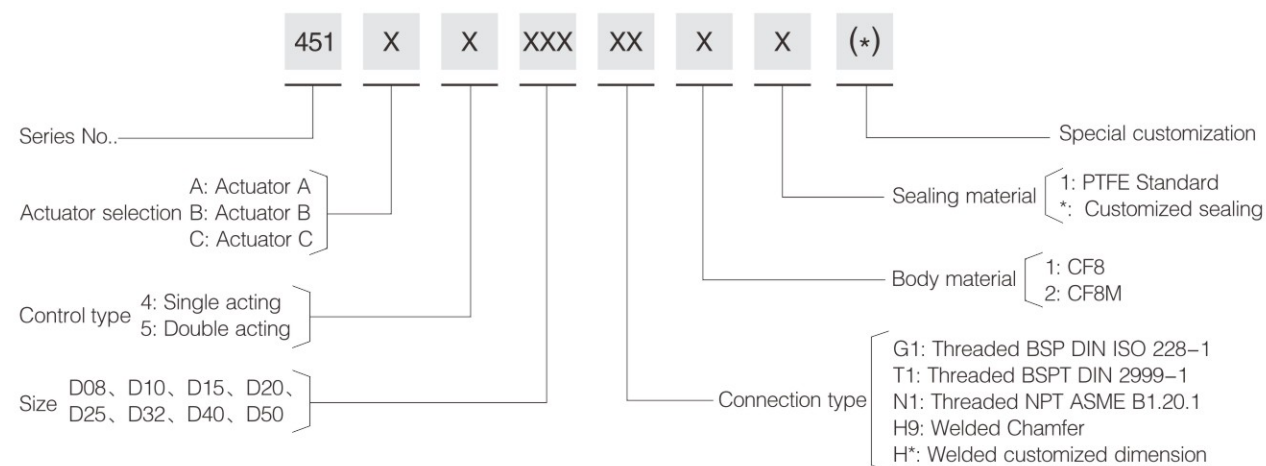
Part List

No.	Part	Material	No.	Part	Material
1	Body	CF8/CF8M	5	Sleeve	CF8/CF8M
2	Seat	PTFE	6	Gasket	PTFE
3	Sunk screw	316	7	Bonnet	CF8/CF8M
4	Spring	304			

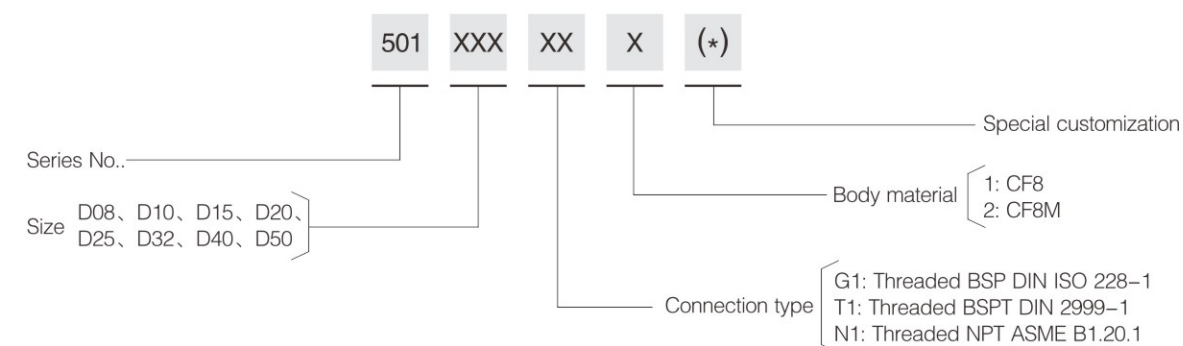
Main Dimension

Size	DN8	DN10	DN15	DN20	DN25	DN32	DN40	DN50
ΦD	14	14	14	20	25	32	40	50
H	44	44	44	52	65	70	78	90
L	65	65	65	80	90	105	120	138

Order Instruction

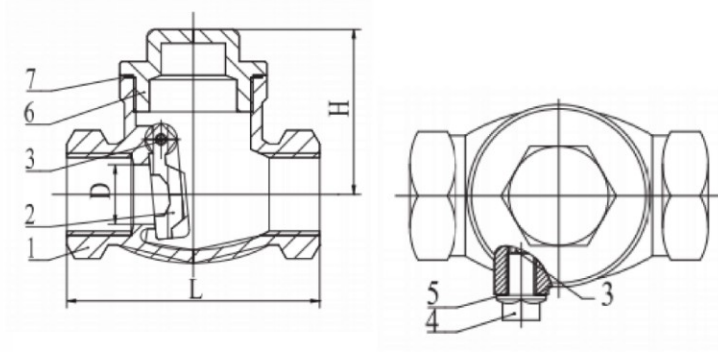


Order Instruction



Check Valve

502 Series
Swing Check Valve



Technical Specification

- Nominal pressure: PN16
- Medium temperature: -25°C — +180°C
- Connection type: Threaded connection (BSP, BSPT, NPT)
- Body material: CF8/CF8M
- Seal material: Metal-to-metal seal

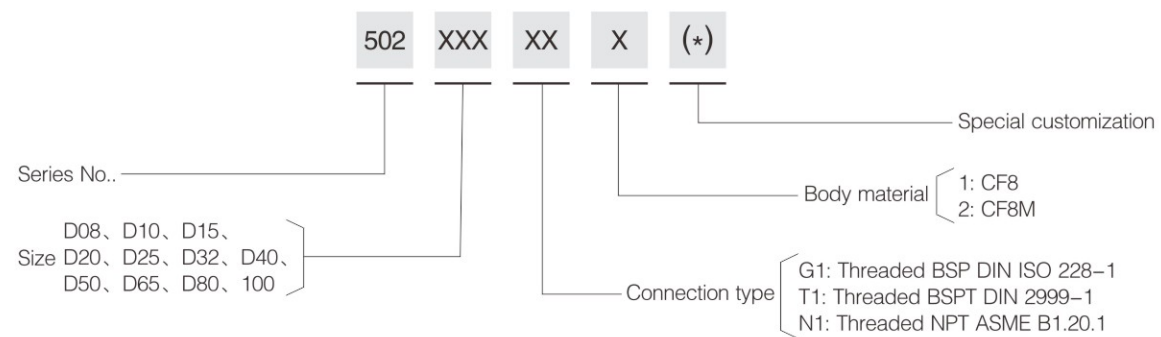
Part List

No.	Part	Material	No.	Part	Material
1	Body	CF8/CF8M	5	Gasket	PTFE
2	Gasket	CF8/CF8M	6	Bonnet	CF8/CF8M
3	Plug	304/316	7	Sealing ring	PTFE
4	Nut	304			

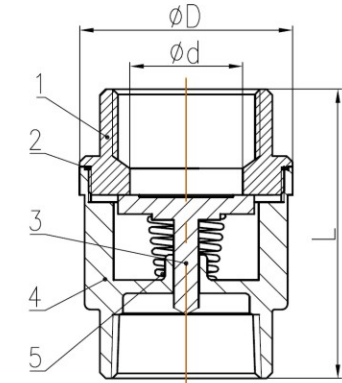
Main Dimension

Size	DN8	DN10	DN15	DN20	DN25	DN32	DN40	DN50	DN65	DN80	DN100
D	10	12	15	20	25	32	40	50	64	73	94
L	65	65	65	80	90	105	120	140	164	190	240
H	42	42	42	50	58	62	72	81	94	103	136

Order Instruction



503 Series
2-PC Spring Vertical
Check Valve



Technical Specification

- Nominal pressure: PN63
- Size: DN8–DN100
- Medium temperature: -25°C — +180°C
- Connection type: Threaded connection (BSP, BSPT, NPT)
- Body material: CF8/CF8M
- Seal material: Metal-to-metal seal
- Minimum open pressure: 24–50mbar

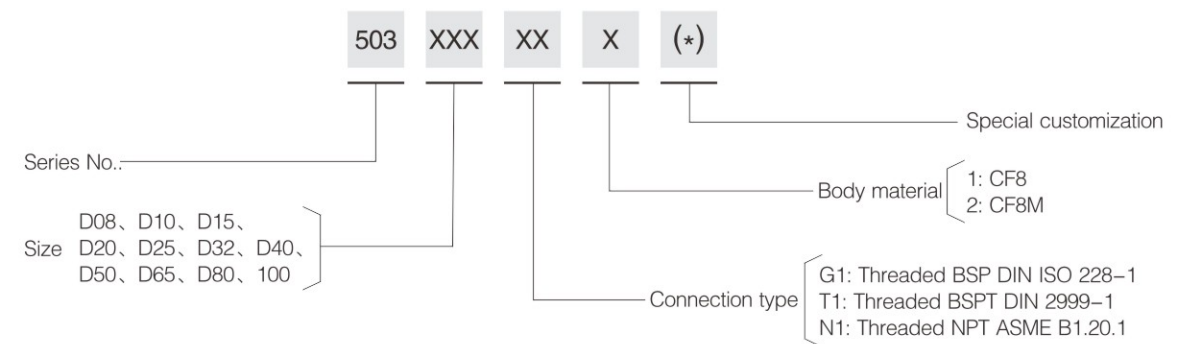
Part List

No.	Part	Material	No.	Part	Material
1	Bonnet	CF8/CF8M	4	Body	CF8/CF8M
2	Gasket	PTFE	5	Spring	316
3	Disc	CF8/CF8M			

Main Dimension

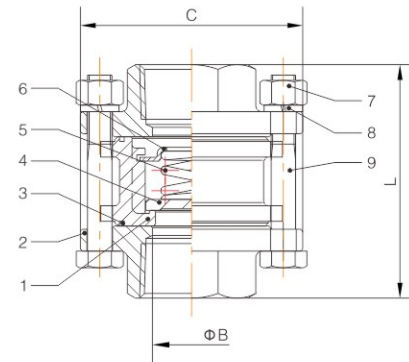
Size	DN8	DN10	DN15	DN20	DN25	DN32	DN40	DN50	DN65	DN80	DN100
Ød	8	10	15	20	25	30	38	47	61	75	94
ØD	30.5	30.5	37	42	48	58	70	82	102.5	120	150
L	53	53	56	63	74	81	91	97	118	138	158

Order Instruction

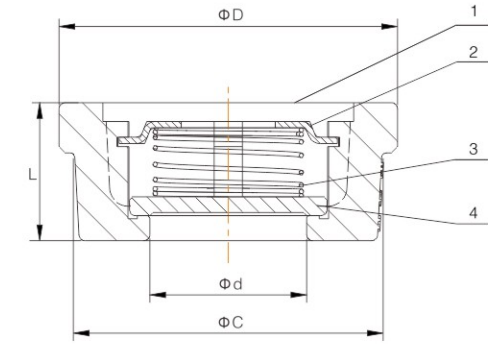


Check Valve

504 Series
3-PC Spring Vertical
Check Valve



508 Series
Wafer Type Disc
Check Valve



Technical Specification

- Nominal pressure: PN63
- Size: DN8–DN100
- Medium temperature: -25°C — $+180^{\circ}\text{C}$
- Connection type: Threaded connection (BSP, BSPT, NPT)
- Body material: CF8/CF8M
- Seal material: Metal-to-metal seal
- Minimum open pressure: 22–60mbar

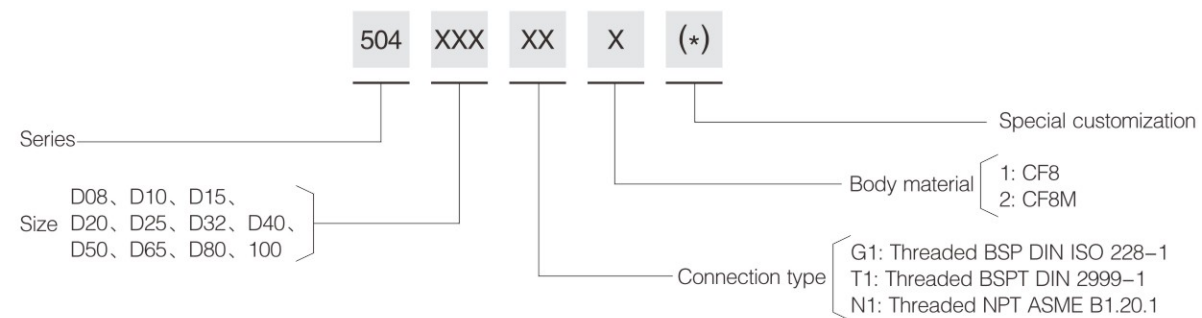
Part List

No.	Part	Material	No.	Part	Material
1	Body	CF8/CF8M	6	Plug	304
2	Bonnet	CF8/CF8M	7	Bolt	304
3	Seal	PTFE	8	Washer	304
4	Disc	316	9	Nut	304
5	Spring	316			

Main Dimension

Size	DN8	DN10	DN15	DN20	DN25	DN32	DN40	DN50	DN65	DN80	DN100
ΦB	8	10	15	20	25	32	40	50	65	76	94
C	45	45	54	62	71	88	95	117	147	167	224
L	48.5	48.5	56	65	74	83	92	110	125.5	141	164

Order Instruction



Technical Specification

- Nominal pressure: PN40
- Size: DN15–DN100
- Medium temperature: -20°C — $+300^{\circ}\text{C}$
- Connection type: Flange
- Body material: CF8/CF8M
- Seal material: Metal-to-metal seal
- Flange standards: DIN PN16, 25, 40
ANSI 150/300 Lbs
- Structure length: DIN3202 – K4
- Minimum open pressure: 35mbar

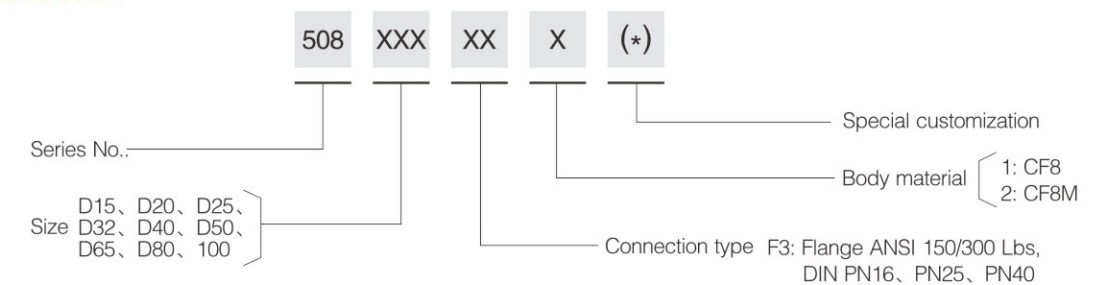
Part List

No.	Part	Material	No.	Part	Material
1	Body	CF8/CF8M	3	Spring	304/316
2	Bonnet	316	4	Disc	CF8/CF8M

Main Dimension

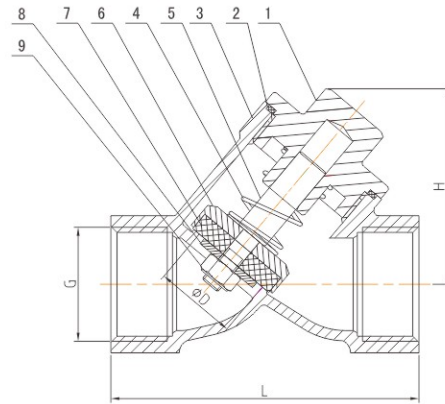
Size	DN15	DN20	DN25	DN32	DN40	DN50	DN65	DN80	DN100
ΦD	39	46	54	70	80	94	112	132	150
Φd	15	20	25	32	40	46	62	75	86
ΦC	34	40	50	62	70	85	100	120	140
L	16	19	22	28	32	40	46	50	60

Order Instruction



Check Valve

509 Series
Y-Spring Check Valve



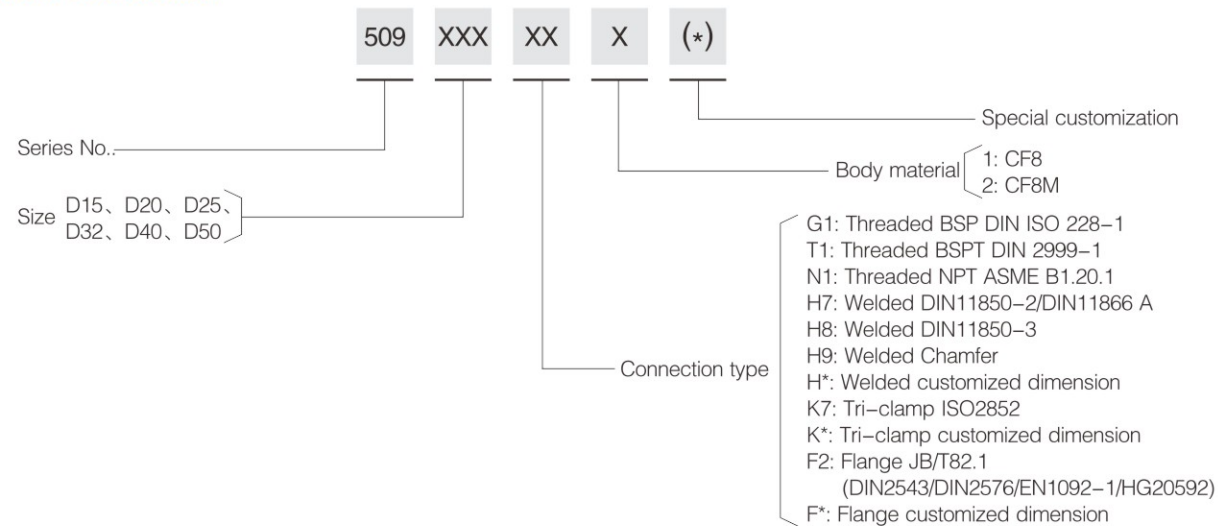
Technical Specification

- Nominal pressure: PN16
- Size: DN15–DN50
- Medium temperature: -10°C — $+180^{\circ}\text{C}$
- Connection type: Threaded, Welded, Tri-clamp, Flanged
- Minimum open pressure: 30–40mbar

Function Principle

Medium enters valve body through inlet opening, pushes the valve stem and valve core upward, and thereby opens the valve. When the medium starts to flow back from the outlet, the spring force and pressure applied by the medium itself push the valve stem and valve core down, and thereby close the valve.

Order Instruction



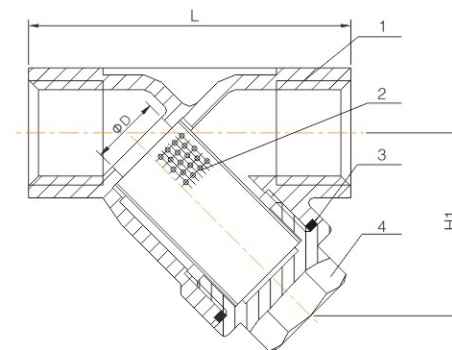
Strainer

601 Series
Single Cap Strainer

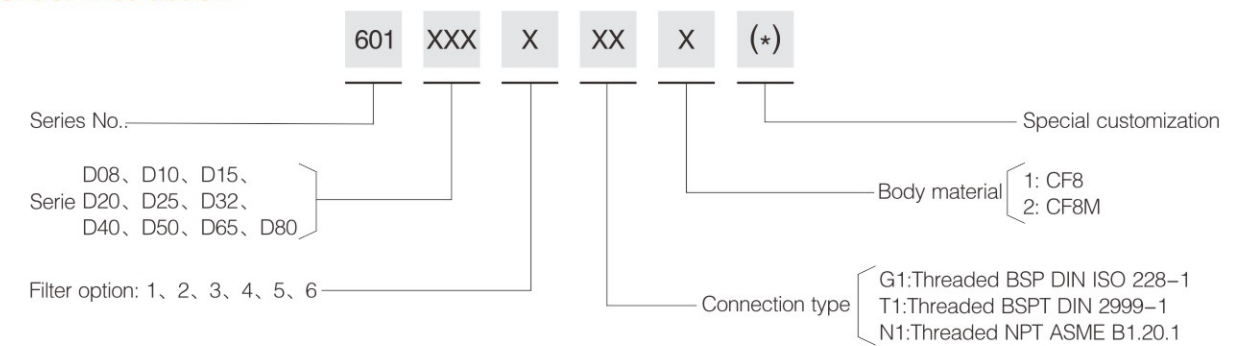


Technical Specification

- Nominal pressure: PN55



Order Instruction



Part List

No.	Part	Material	No.	Part	Material
1	Bonnet	CF8/CF8M	6	Core	CF8/CF8M
2	Body seal	PTFE	7	Seat	PTFE
3	Body	CF8/CF8M	8	Core gasket	CF8/CF8M
4	Spring	304	9	Self-locking nut	304
5	Stem	304/316			

Main Dimension

Size	DN15	DN20	DN25	DN32	DN40	DN50
L	68	75	90	116	116	138
H	43	48.5	57	72	77	89
ΦD	13	18	24	31	35	45
G	1/2"	3/4"	1"	1 1/4"	1 1/2"	2"

Part List

No.	Part	Material
1	Body	CF8M/CF8
2	Filter	304
3	Gasket	PTFE
4	Cover	CF8M/CF8

Main Dimension

Size	DN8	DN10	DN15	DN20	DN25	DN32	DN40	DN50	DN65	DN80
ΦD	14	14	14	20	25	32	40	50	60	80
H1	37	37	37	45	54	59	66	77	93	118
L	65	65	65	80	90	105	120	138	178	210

Filter Option

Filter Option	DN8/ DN10/DN15	DN20	DN25	DN32	DN40	DN50	DN65	DN80
1 20 mesh perforated filter	✓	✓	✓	✓	✓	✓	✓	✓
2 30 mesh wired filter	✓	✓	✓	✓	✓	✓	✓	✓
3 30 mesh + frame	✓	✓	✓	✓	✓	✓	✓	✓
4 80 mesh + frame	✓	✓	✓	✓	✓	✓	✓	✓
5 100 mesh + 20 mesh		✓	✓	✓	✓	✓		
6 100 mesh + frame	✓						✓	✓

Strainer

602 Series
Double Cap Strainer

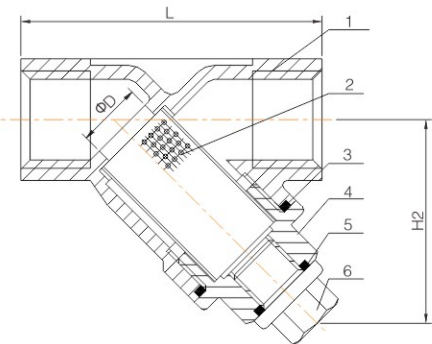


603 Series
Flanged Strainer



Technical Specification

- Nominal pressure: PN55



Part List

No.	Part	Material
1	Body	CF8M/CF8
2	Filter	304
3	Gasket	PTFE
4	Cover	CF8M/CF8
5	Bolt seal	PTFE
6	Discharge plug	CF8M/CF8

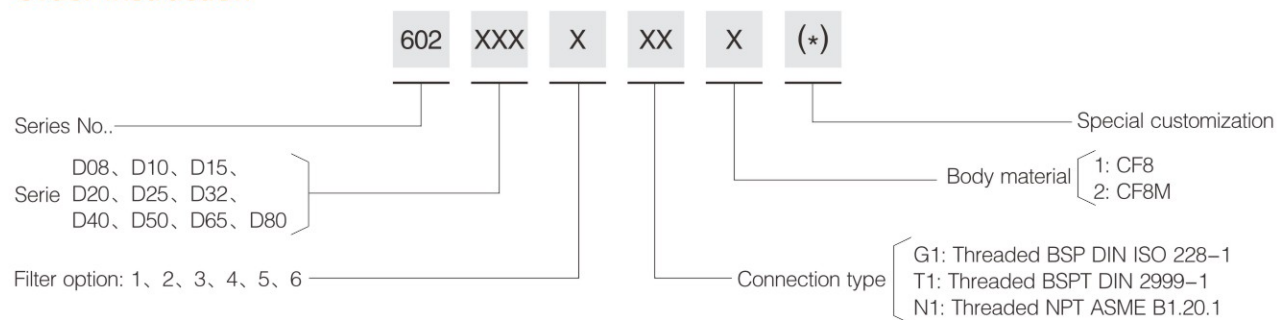
Main Dimension

Size	DN8	DN10	DN15	DN20	DN25	DN32	DN40	DN50	DN65	DN80
ΦD	14	14	14	20	25	32	40	50	60	80
H2	44	44	44	52	63	67	74	86	104	128
L	65	65	65	80	90	105	120	138	178	210

Filter Option

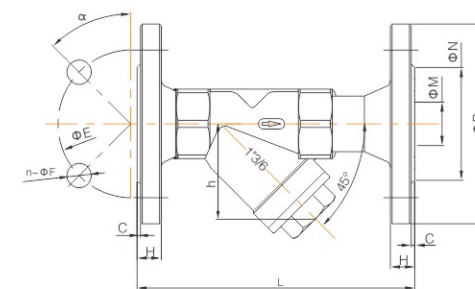
Filter Option	DN8/ DN10/DN15	DN20	DN25	DN32	DN40	DN50	DN65	DN80
1 20 mesh perforated filter	✓	✓	✓	✓	✓	✓	✓	✓
2 30 mesh wired filter	✓	✓	✓	✓	✓	✓	✓	✓
3 30 mesh + frame	✓	✓	✓	✓	✓	✓	✓	✓
4 80 mesh + frame	✓	✓	✓	✓	✓	✓	✓	✓
5 100 mesh + 20 mesh	✓	✓	✓	✓	✓	✓	✓	✓
6 100 mesh + frame	✓	✓	✓	✓	✓	✓	✓	✓

Order Instruction



Technical Specification

- Nominal pressure: PN16
- Flange standards: JB/T82.1-1994; ISO/DIN/JIS is also available



Main Dimension

Size	L	C	H	h	ΦE	n-ΦF	ΦM	ΦN	ΦP	α
DN15	145	2	14	37	65	4-14	16	45	95	45°
DN20	155	2	14	45	75	4-14	20	56	105	45°
DN25	155	2	14	54	85	4-14	25	65	115	45°
DN32	185	2	16	59	100	4-18	32	78	140	45°
DN40	200	3	16	66	110	4-18	36	84	150	45°
DN50	215	3	16	77	125	4-18	49	100	165	45°
DN65	290	3	18	93	145	4-18	66	120	185	45°
DN80	315	3	20	118	160	4-18	78	135	200	22.5°

Filter Option

Filter Option	DN15	DN20	DN25	DN32	DN40	DN50	DN65	DN80
1 20 mesh perforated filter	✓	✓	✓	✓	✓	✓	✓	✓
2 30 mesh wired filter	✓	✓	✓	✓	✓	✓	✓	✓
3 30 mesh + frame	✓	✓	✓	✓	✓	✓	✓	✓
4 80 mesh + frame	✓	✓	✓	✓	✓	✓	✓	✓
5 100 mesh + 20 mesh	✓	✓	✓	✓	✓	✓	✓	✓
6 100 mesh + frame	✓	✓	✓	✓	✓	✓	✓	✓

Order Instruction

