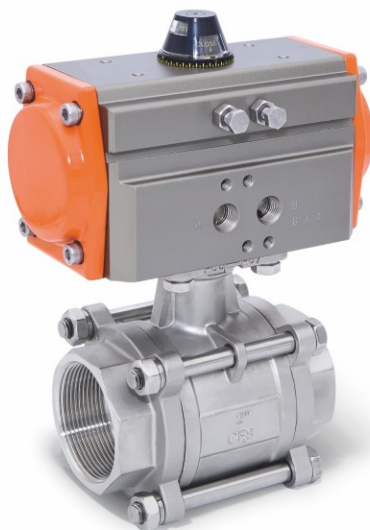


Pneumatic Ball Valve

451 Series
Pneumatic
Ball Valve Type C

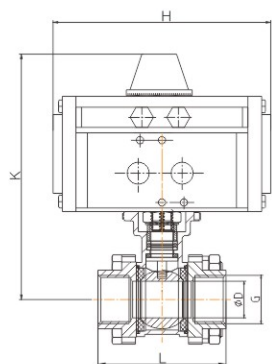
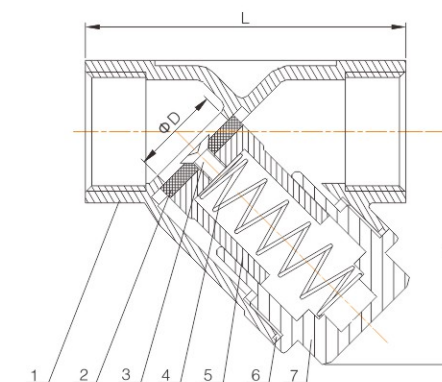


Technical Specification

- Nominal pressure: PN63(1000Psi)
- Medium temperature: -10°C — $+120^{\circ}\text{C}$
- Body and bonnet material: CF8, CF8M
- Ball material: CF8(304), CF8M(316)
- Seal ring and Packing: PTFE
- Control Pressure: 5bar
- Control type: Double acting
(Single-acting option is available.)

Check Valve

501 Series
Y-Spring Check Valve



Main Dimension

Size	DN8	DN10	DN15	DN20	DN25	DN32	DN40	DN50
G	1/4"	3/8"	1/2"	3/4"	1"	1 1/4"	1 1/2"	2"
ΦD	12.5	12.5	15	20	25	32	38	50
L	50	50	62	70	80	93	103	125
H	110	110	110	110	119	169	169	169
K	107	107	109	117	141	172	182	197
Double acting actuator type	ADT032			ADT045		ADT063		

Note: Control air pressure: 5Bar

Technical Specification

- Nominal pressure: PN55
- Medium temperature: -10°C — $+120^{\circ}\text{C}$
- Connection type: Threaded connection
(BSP、BSPT、NPT)
- Body material: CF8/CF8M
- Seal material: PTFE
- Minimum open pressure: 16–92mbar

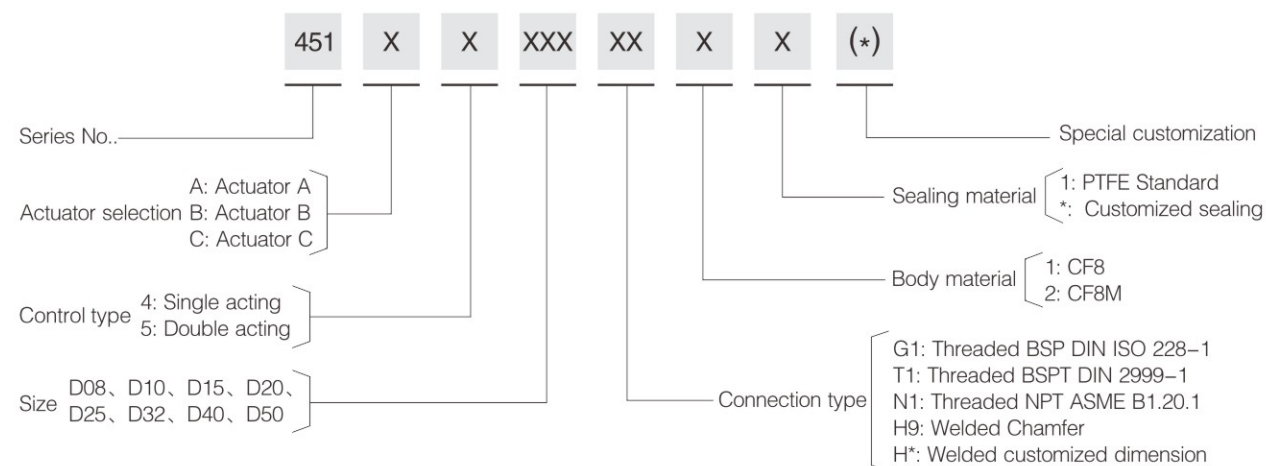
Part List

No.	Part	Material	No.	Part	Material
1	Body	CF8/CF8M	5	Sleeve	CF8/CF8M
2	Seat	PTFE	6	Gasket	PTFE
3	Sunk screw	316	7	Bonnet	CF8/CF8M
4	Spring	304			

Main Dimension

Size	DN8	DN10	DN15	DN20	DN25	DN32	DN40	DN50
ΦD	14	14	14	20	25	32	40	50
H	44	44	44	52	65	70	78	90
L	65	65	65	80	90	105	120	138

Order Instruction



Order Instruction

