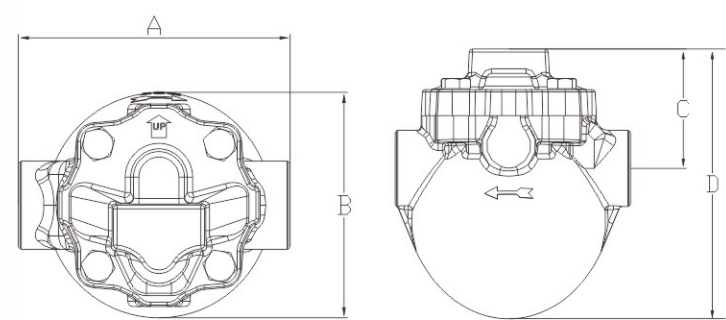


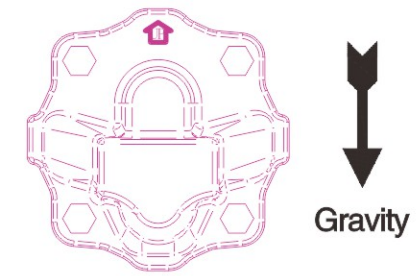
# Thermodynamic Steam Trap

802 Series  
Ball Float Steam Trap

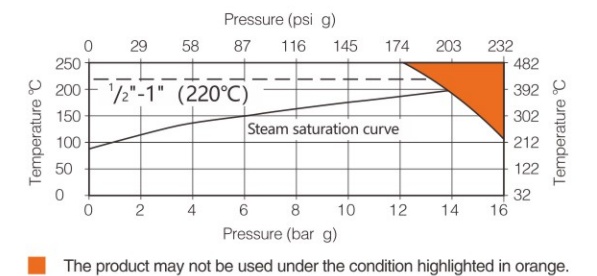


### Special Note

Please keep valve in opposite direction of gravity.  
(As shown in the figure below).



### Operating Condition



### Advantages

1. Application for both horizontal and vertical installation.
2. Stainless steel material with excellent corrosion resistance and durability.
3. Continuous discharge, with no impact from temperature, pressure and flow. Prevent water hammer due to steam condensation.
4. No steam leakage, minimal heat loss.
5. Automatically discharge non-condensing gas to avoid air resistance.
6. Large discharge capacity improves work efficiency.
7. Compact structure and reliable performance.

### Main Dimension

Size	A	B	C	D
DN15	145	120	74	169
DN20	145	120	74	169
DN25	145	120	74	169

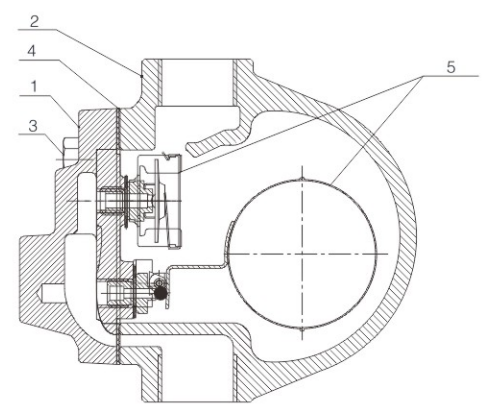
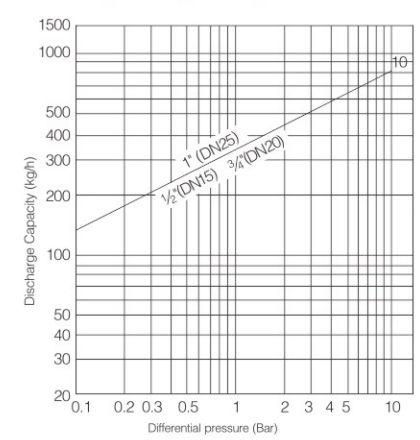
### Technical Specification

- Nominal Pressure: PN16
- PMA Max.Allowable Pressure: 16bar (232psi)
- TMA Max.Allowable Temperature: 250°C
- Max.Differential Pressure: 10bar (145psi)
- Connection type: Threaded connection (BSP、BSPT、NPT)

### Part List

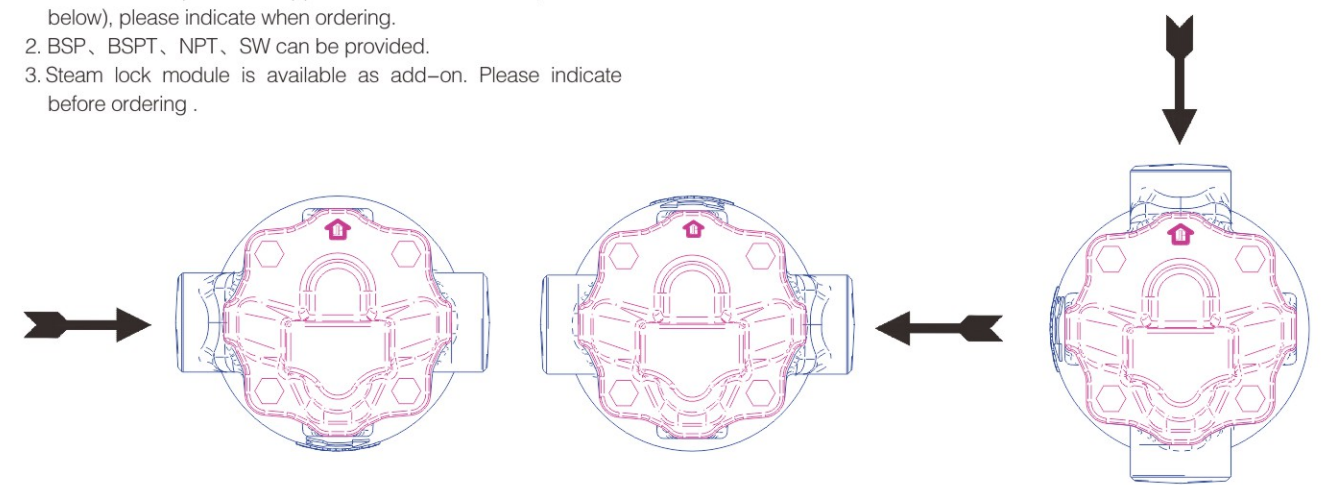
No.	Part	Material
1	Cover	CF8/CF8M
2	Body	CF8/CF8M
3	Stem	304
4	Gasket	Soft graphite
5	Internal component	Stainless steel

### Discharge Capacity



### Ordering Instructions

1. The steam trap can be applied in three directions (as shown below), please indicate when ordering.
2. BSP、BSPT、NPT、SW can be provided.
3. Steam lock module is available as add-on. Please indicate before ordering.



### Order Instruction

