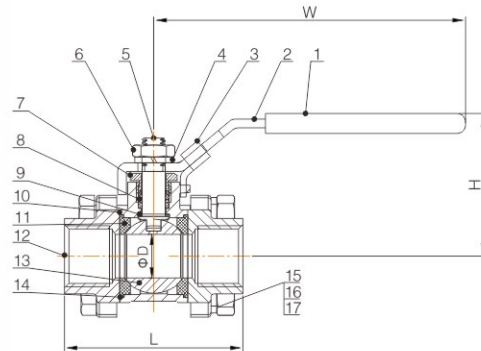


431 Series
3-PC Threaded
Ball Valve



Technical Specification

- Nominal pressure: PN63
- Medium temperature: -10°C — +120°C
- Body and bonnet material: CF8/CF8M
- Ball material: CF8(304), CF8M(316)
- Seal material: PTFE
- Connection type: Threaded connection (BSP、BSPT、NPT)

Main Dimension

Size	DN8	DN10	DN15	DN20	DN25	DN32	DN40	DN50	DN65	DN80	DN100
ΦD	12.5	12.5	15	20	25	32	38	50	62	76	94
L	50.5	50.5	61.5	70	80.5	93	103	125	158	179	213
H	48	48	52	61	65	79	83	97	135	144	149
W	100	100	100	127	127	154	154	192	244	244	285

Order Instruction

